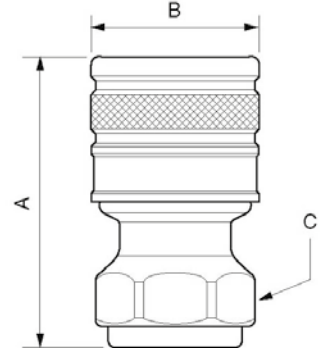


## COUPLINGS FOR WATER SYSTEMS ON PLATE

### Female thread valved coupler



**Min / Max operating pressure**  
0 / 10 bar

**ID passage**  
9

**Min. / Max temperature**  
-15 / 60 °C

Part number	Female thread
ELS 091103P	G1/2
ELS 091104P	G3/4